






## Unique Features

-  Modular
-  Suitable for Any Rack Configurations
-  Durable
-  Reversible Bracket
-  Grip Technology
-  Multiple Attachment Points
-  Fully Adjustable
-  Rigidity

## Is your warehouse safe enough?

**MonkeyMESH™** is a versatile, adjustable and durable mesh backing system.

This innovative product offers safety and affordability.

**MonkeyMESH™** is ideal for new facilities, it can also be installed on existing racking to overcome current risks in a cost effective way.

Engineered and tested, **MonkeyMESH™** is solving safety issues in your warehouse by protecting your people and your inventory.

If you want to improve safety, reduce risk and prevent accidents, contact us for further advice on finding the right solution for you.

**MonkeyMESH™** provides protection in your:

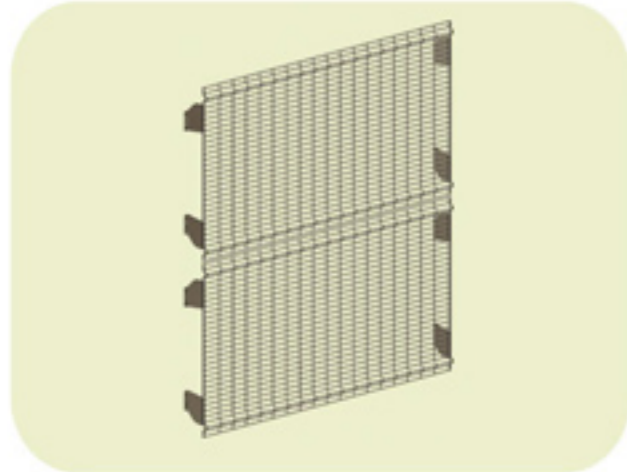
- Warehouses
- Hardware Stores
- Archive Storage
- Store Rooms

[www.monkeymesh.com.au](http://www.monkeymesh.com.au)





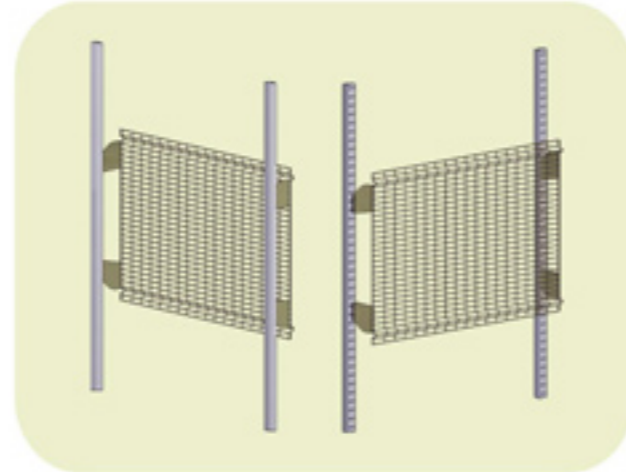
Modular



**MonkeyMESH™** is a modular panel system providing multiple functionalities and flexibility.



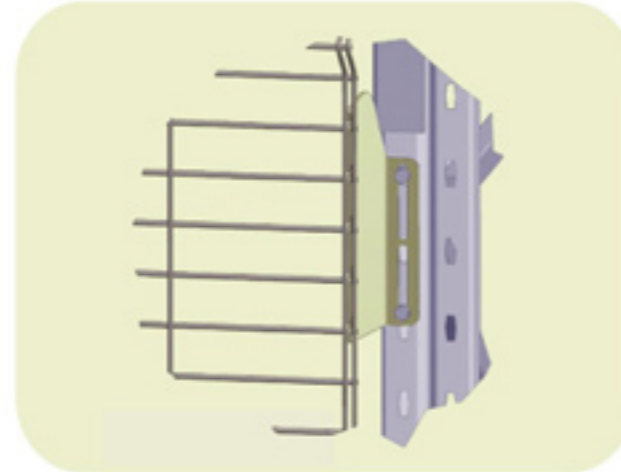
Suitable for Any Rack Configurations



**MonkeyMESH™** can suit a multitude of rack configuration.



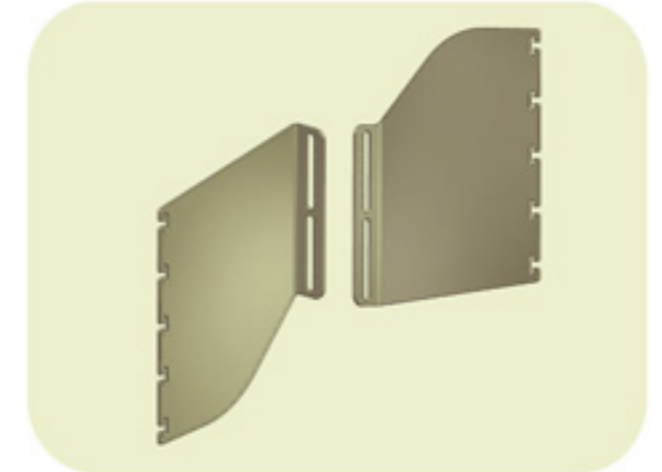
Durable



**MonkeyMESH™** is made of durable material and suitable for indoor, outdoor or cool room storage use.



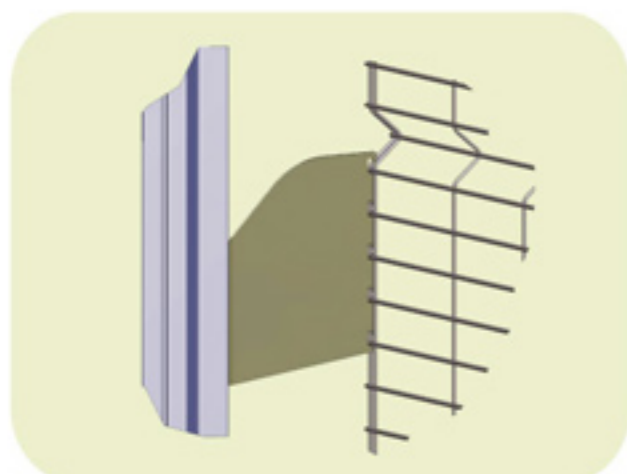
Reversible Bracket



**MonkeyMESH™** bracket design is reversible, streamlining installation.



Grip Technology



**MonkeyMESH™** brackets pull away from each other creating a 'positive lock' to the mesh.



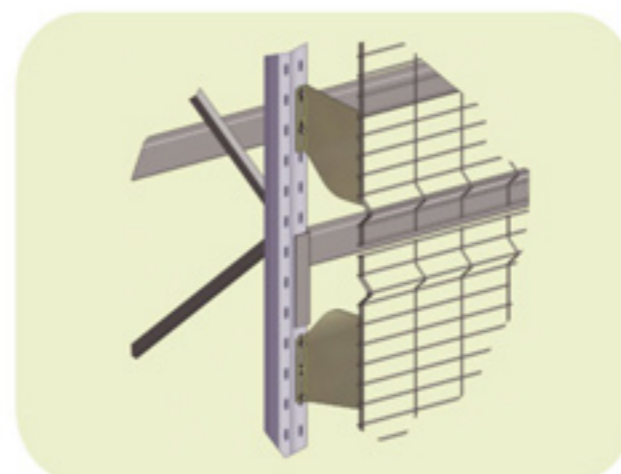
Multiple Attachment Points



The mounting slots on the **MonkeyMESH™** brackets can be fitted to any location along the rack upright.



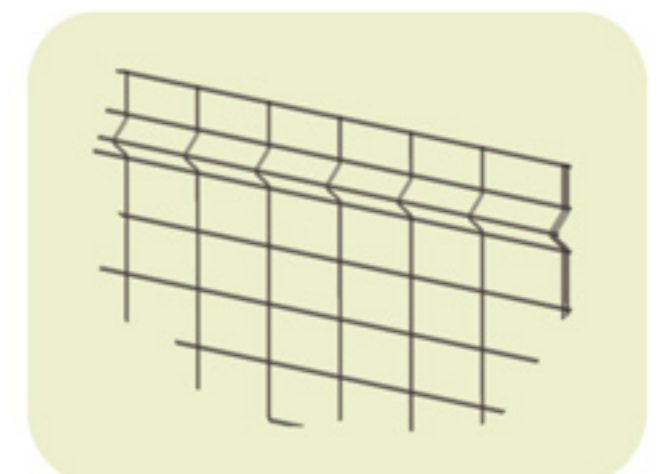
Fully Adjustable



The design of the **MonkeyMESH™** bracket is Fully Adjustable to accommodate either metric or imperial rack sizes.



Rigidity



The horizontal 3D profile in the **MonkeyMESH™** provides strength and rigidity to the mesh panel.



[www.monkeymesh.com.au](http://www.monkeymesh.com.au)